

REVISIES

REV.	DATUM	GETEKEND	OMSCHRIJVING
A	12-3-2014	TvA	Diameter aangepast Ø735 was Ø 750

A

A

B

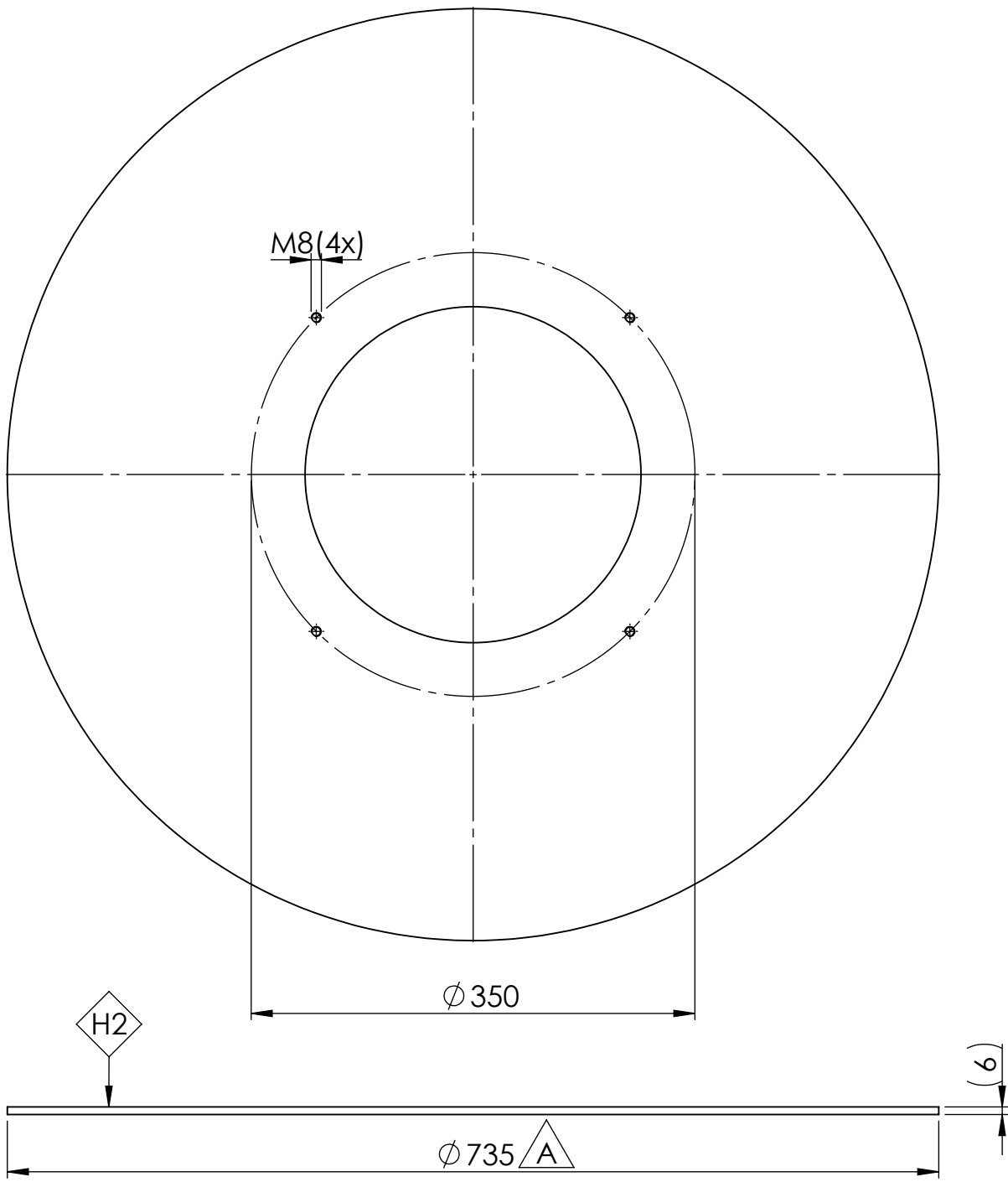
B

C

C

D

D



1	1	WGW GEB Plaat 6mm	Ø735	DD11
---	---	-------------------	------	------

POS	#	OMSCHRIJVING	LENGTE	MATERIAAL
-----	---	--------------	--------	-----------

Tolerances unless differently mentioned: ↔ :±0,5 mm ∠ :±1° ⊥ :±1°	Level of finishing of surfaces conform HLH LFS norm	Level of finishing of surfaces unless differently mentioned: H4	AMERICAN PROJECTION	STATUS: Def.
UNITS OF MEASUREMENT MM			TITLE: Vloerplaat Dia voet	

	DRAWN: TvA	SCALE: 1:5	HLH DRAWING NUMBER: 35,057		REV.: 1
	DATE: 16-12-2013	SIZE: A4			
	Approved:	project: Dia op Voet	TYPE: M	SHEET	1 of 1